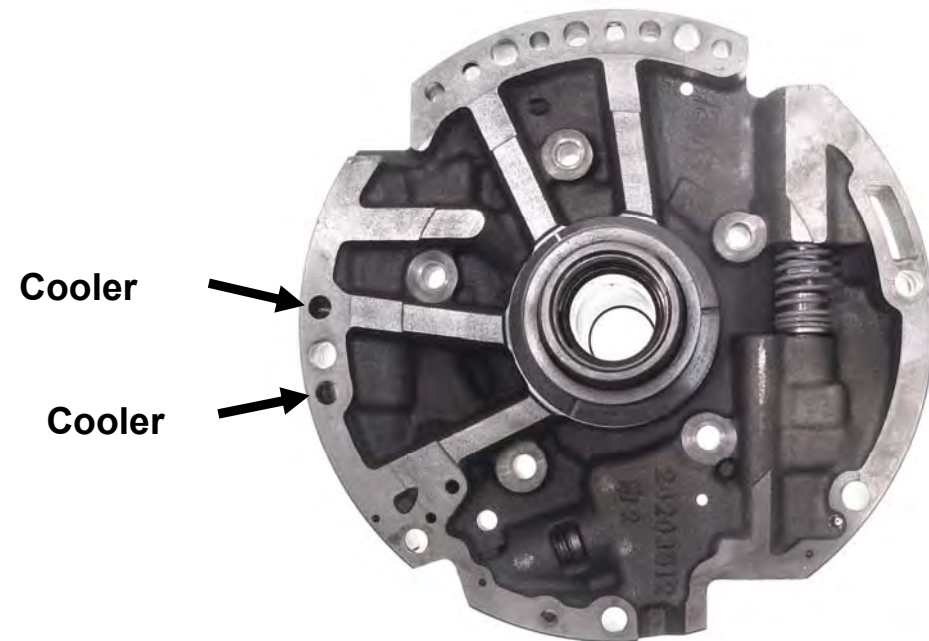
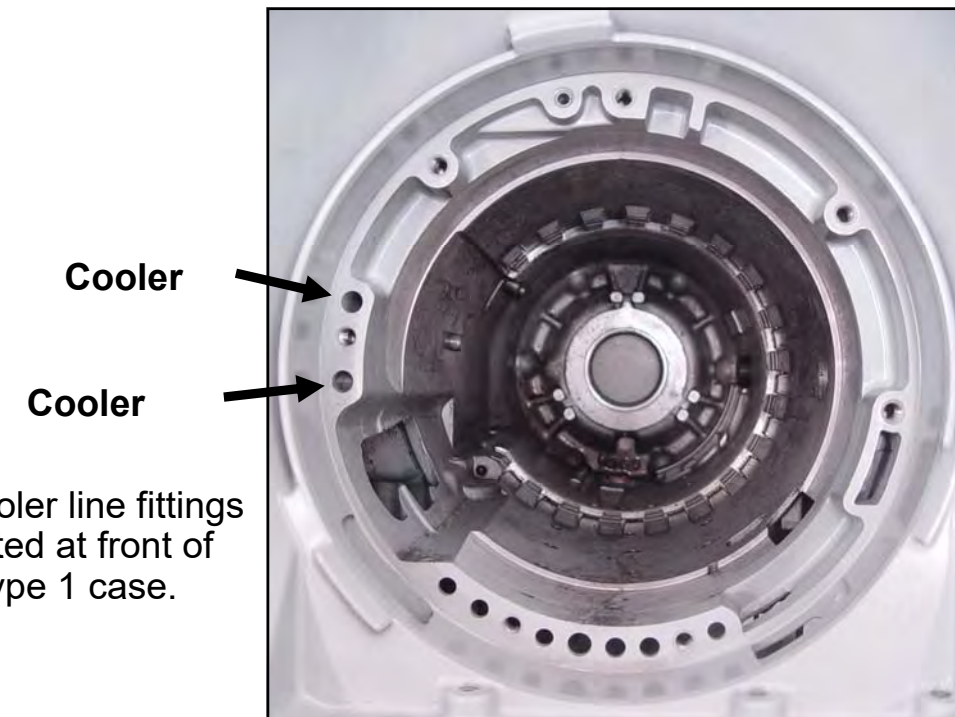


**Mismatch Complaints:** Melted OD planet, Burned OD & Coast Clutches, Overheating of Transmission (245+ degrees on a short drive), Input Sprag failure due to excessive heat.

**DO NOT use 97-2007 Pumps with type 1 Case. See page 4!**



**89 to 96 Pump & Type 1 Case.**  
Pump & Case **has** cooler feed & return holes.

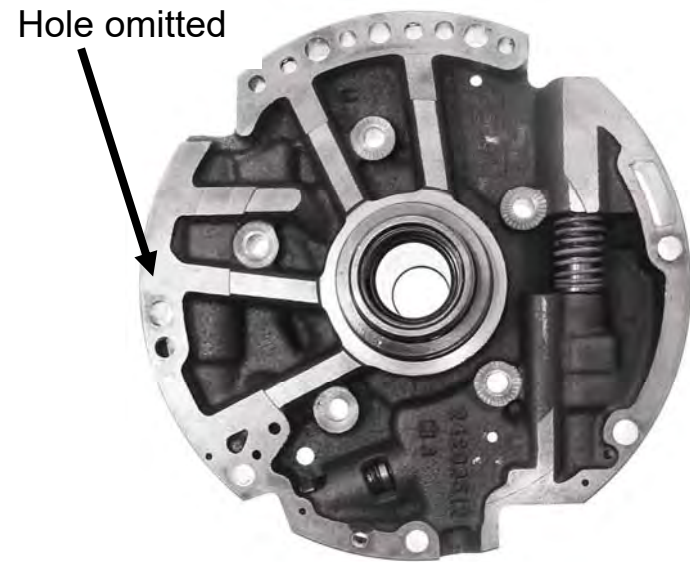


Both Cooler line fittings are located at front of 89-96 Type 1 case.

# 06-177 4L80E Pump to Case matching– wrong match burns down unit “lack of lube”

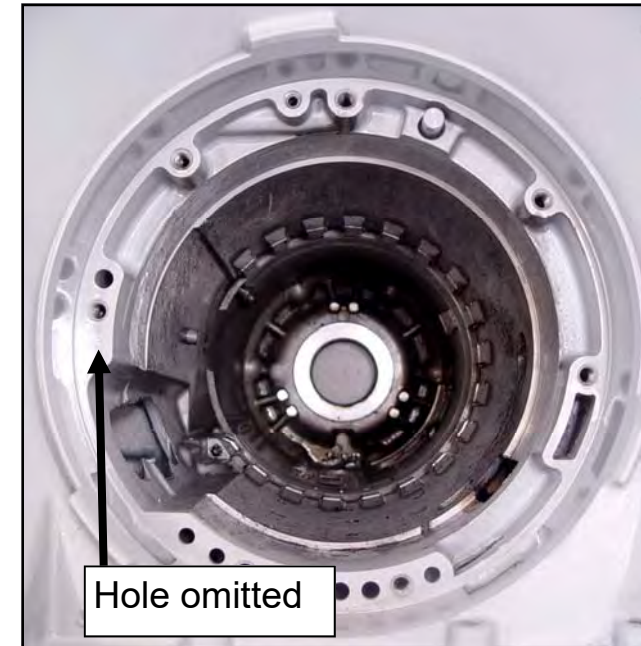
04-07 Pump can only be used with type 2 or 3 Case.

04-2007 Pumps

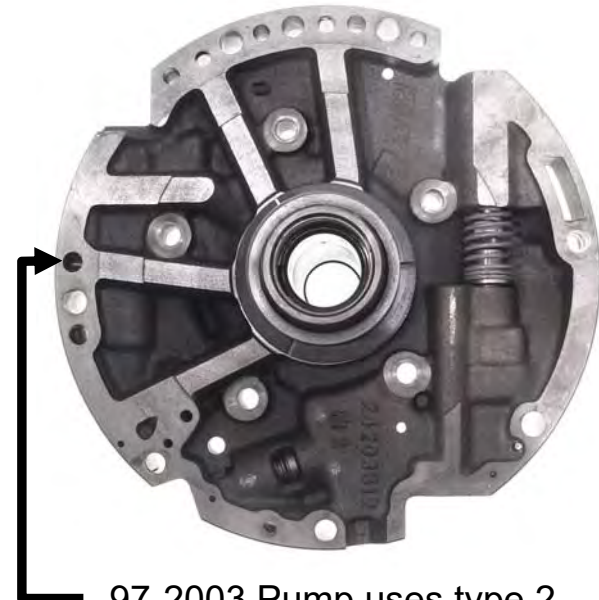


97-2007 Type 2 & 3 Cases, cooler oil return fitting is located in middle of case.

Type 2 case



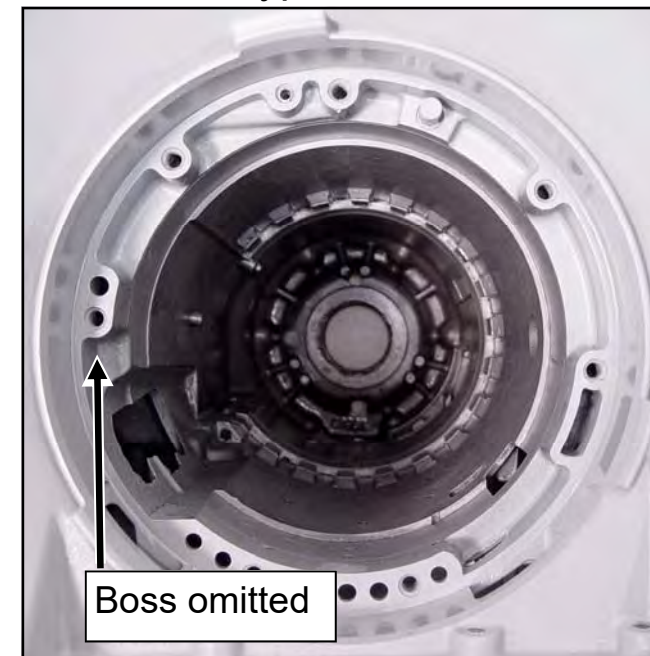
97-2003 Pumps



97-2003 Pump uses type 2 case.

If using 97-2003 Pump on type 3 case plug this hole!

Type 3 case



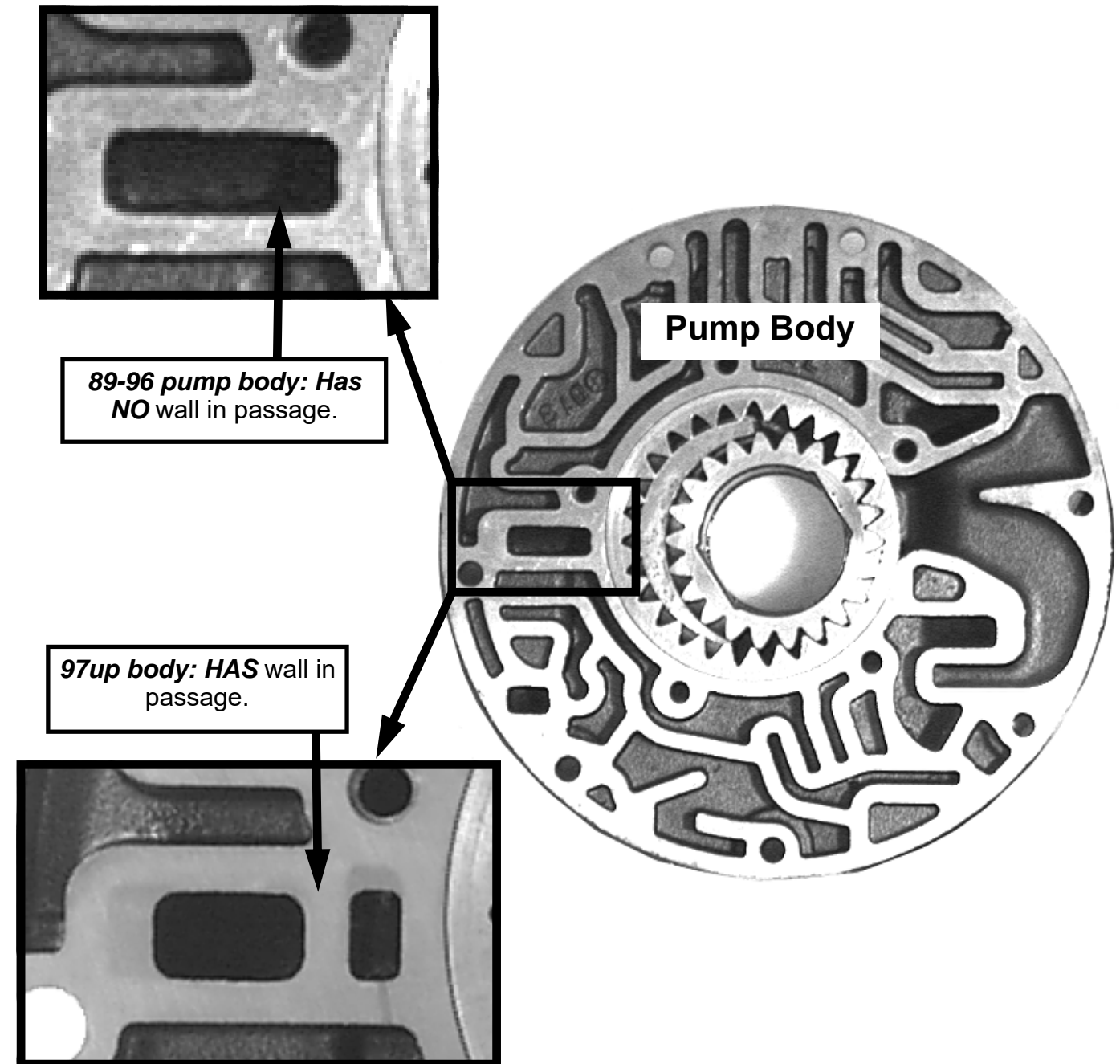
**DO NOT use 89-96 Pumps with type 2 or 3 Case. See page 3!**

**The 89-96 and 97up design pump bodies are different:**

**89-96 Type:** Lube comes from cooler to bottom fitting at front of case. It lubes the OD section and is then routed through a long tube to the rear for planet and rear case lube.

**97up Type:** The converter feed circuit lubes the OD section. The entire rest of trans including all other planets, receives lube through the center support.

97up **pump body** will replace 91-96 **pump body** in all applications but you **MUST** use 89-96 **pump cover** with it. Do **NOT** use 97up **pump cover** on 89-96 type trans.



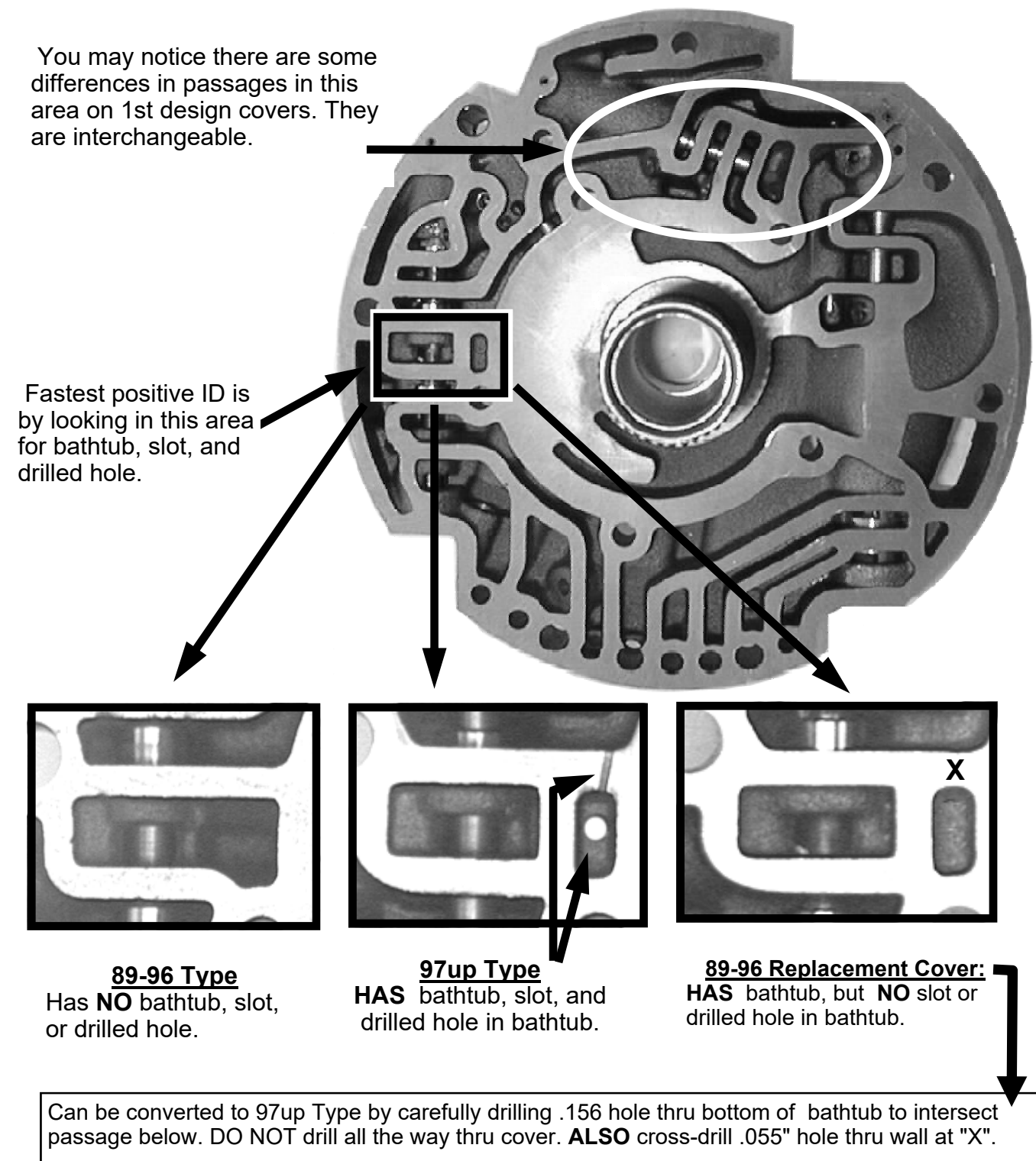
**89-96 and 97up type pump covers [Stator supports] are different.**

**89-96 cases** with cooler return in front must have 89-96 design pump **cover** OR 89-96 design **replacement pump cover**. Either pump **body** (see previous page) will work fine.

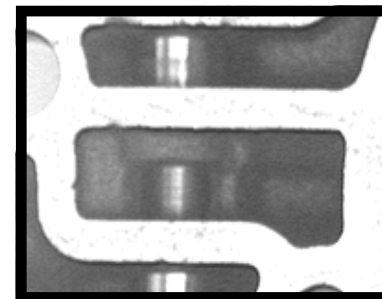
**97up cases** with cooler return in middle of case must have 97up design pump body AND 97up design pump cover. **Follow guidelines on page 2 to match back of pump cover to case.**

**CAREFUL: 89-96 Replacement covers** *LOOK* like the 97up type but are *functionally* the same as 89-96 type. Compare parts to pictures.

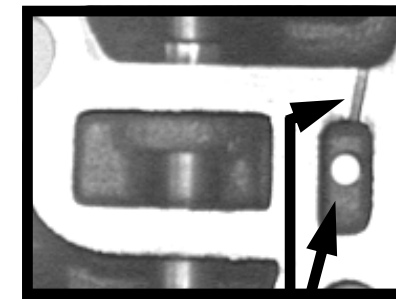
You may notice there are some differences in passages in this area on 1st design covers. They are interchangeable.



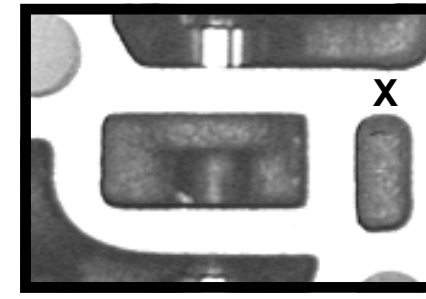
Fastest positive ID is by looking in this area for bathtub, slot, and drilled hole.



**89-96 Type**  
Has **NO** bathtub, slot, or drilled hole.



**97up Type**  
**HAS** bathtub, slot, and drilled hole in bathtub.



**89-96 Replacement Cover:**  
**HAS** bathtub, but **NO** slot or drilled hole in bathtub.

Can be converted to 97up Type by carefully drilling .156 hole thru bottom of bathtub to intersect passage below. DO NOT drill all the way thru cover. **ALSO** cross-drill .055" hole thru wall at "X".